

# PARTS ORDER FORM

## C4-12 SeeMate™ Monitoring System

**Part# SMC4-12**



### **I.A.S. PRODUCTS LTD.**

1415 Dominion Street, North Vancouver, British Columbia, Canada V7J 1B3

Tel: +1(604) 924-1844 Fax: +1(604) 924-1848 Web Site: [www.iasproducts.com](http://www.iasproducts.com)

Company: \_\_\_\_\_ Site: \_\_\_\_\_

Name: \_\_\_\_\_ Position: \_\_\_\_\_

Phone No: \_\_\_\_\_ Fax No: \_\_\_\_\_

PO Number: \_\_\_\_\_ Serial No: \_\_\_\_\_ Date: \_\_\_\_\_

#### **ORDERING INSTRUCTIONS:**

1. Completely fill out form. Print clearly.
2. Fax, Email, or Phone in your order to IAS Products Ltd. with a valid purchase order number.
3. Review order confirmation, and submit any changes. (Please fax Parts Order page only.)

NO.	PART NAME/ DESCRIPTION	PART NUMBER	QTY	UNITS	PRICE	TOTAL
01	Visor Gasket (Outer Face Cushion)	GFTS/VISOR		Feet		
02	Visor for Top Box View Window	SMVS/C12-B		Each		
03	Top Box Door	SMTB/DR/C12-W		Each		
04	View Window for Top Box Door	PMLS/SM/C12		Each		
05	Circuit Board Tray	SMTR/CB/C12-W		Each		
06	Monitor Tray	SMTR/MN/C12-W		Each		
07	Top Box	SMTB/C12-W		Each		
08	Bulkhead (Tower) Plug Housing	CNBH/B7/HG		Each		
09	Plug Insert (4-Pin Gold Insert)	CNIN/B7-4/P/G		Each		
10	Bulkhead (Tower) Plug Cap	CNBH/B7/C		Each		
11	Lock Ring for Insert	CNFM/B7/LRI		Each		
12	Adjusting Knob (Top Box)	CFKB/TB/M-3/8		Each		
13	Cart Frame	SMFR/C12-B		Each		
14	Angle Top Box Mount Bracket	SMTB/AMB/C12-B		Each		
15	Wheel and Tire (10" Pneumatic)	WCTR/ST-10		Each		
16	Battery Box	SMBB/C12-W		Each		
17	Battery Box Lid	SMBB/C12-W		Each		

IAS Products Ltd. will accept product or parts returned, freight prepaid to manufacturer, at the above address with manufacturer's Returned Materials Authorization number. Upon receipt of the aforesaid, the product or part, if determined defective, will be repaired or replaced at the manufacturer's discretion under terms of warranty. Any product without an RMA number, or arriving freight collect, may be subject to additional administration fees.

# PARTS ORDER FORM

## C4-12 SeeMate™ Monitoring System

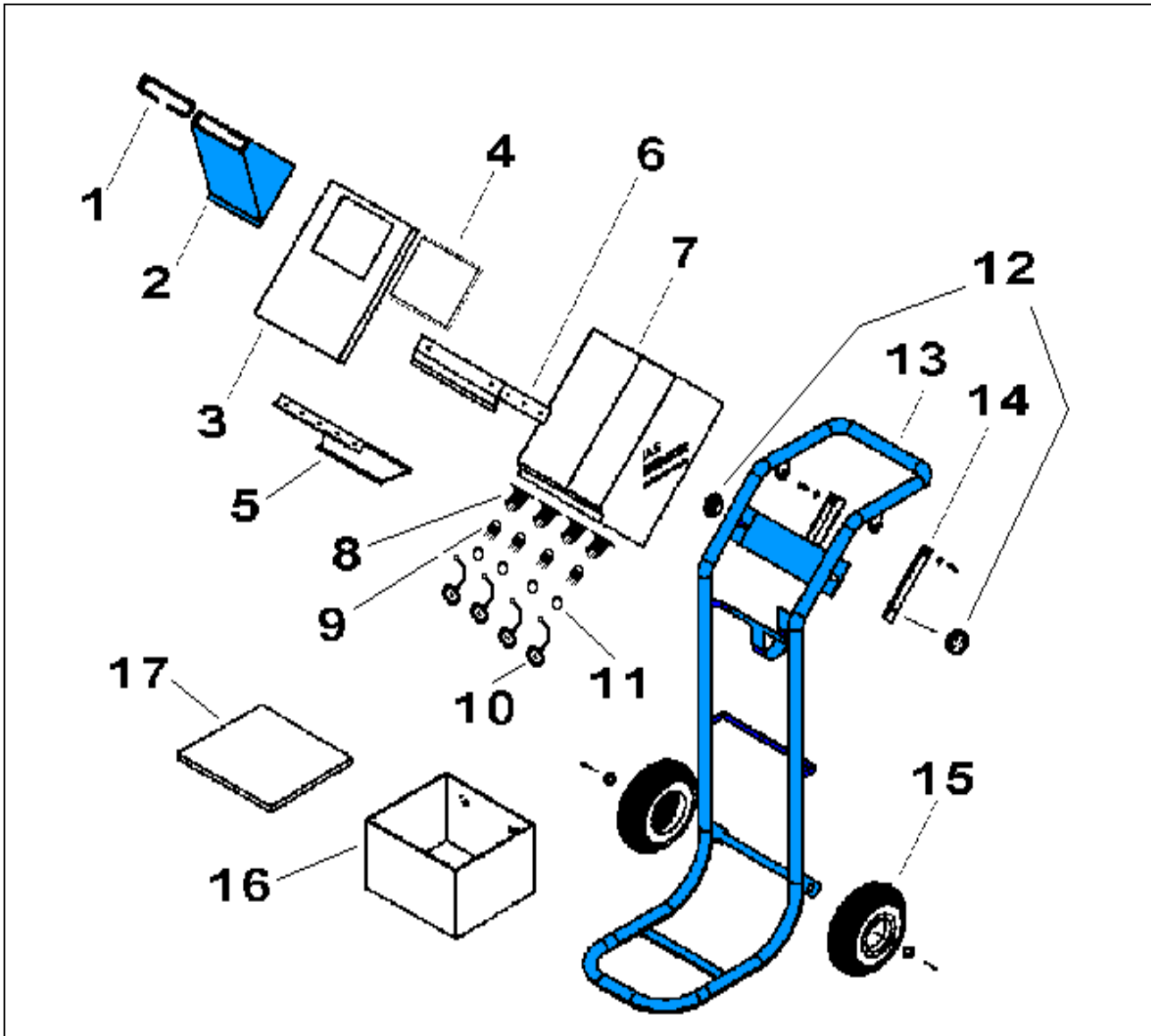
Part# SMC4-12



### **I.A.S. PRODUCTS LTD.**

1415 Dominion Street, North Vancouver, British Columbia, Canada V7J 1B3

Tel: +1(604) 924-1844 Fax: +1(604) 924-1848 Web Site: [www.iasproducts.com](http://www.iasproducts.com)



IAS Products Ltd. will accept product or parts returned, freight prepaid to manufacturer, at the above address with manufacturer's Returned Materials Authorization number. Upon receipt of the aforesaid, the product or part, if determined defective, will be repaired or replaced at the manufacturer's discretion under terms of warranty. Any product without an RMA number, or arriving freight collect, may be subject to additional administration fees.