

PARTS ORDER FORM

S80/S200AeroSpreader™

Part# AS-S80



I.A.S. PRODUCTS LTD.

1415 Dominion Street, North Vancouver, British Columbia, Canada V7J 1B3
Tel: +1(604) 924-1844 Fax: +1(604) 924-1848 Web Site: www.iasproducts.com

Company: _____ Site: _____

Name: _____ Position: _____

Phone No: _____ Fax No: _____

PO Number: _____ Serial No: _____ Date: _____

ORDERING INSTRUCTIONS:

1. Completely fill out form. Print clearly.
2. Fax, Email, or Phone in your order to IAS Products Ltd. with a valid purchase order number.
3. Review order confirmation, and submit any changes. (Please fax Parts Order page only.)

NO.	PART NAME/ DESCRIPTION	PART NUMBER	QTY	UNITS	PRICE	TOTAL
01	Hopper and Lid (Blue)	ASHP/200		Each		
02	3" Galvanized Feed Chute	ASFC-3		Each		
03	Feed Chute Slide Gate – 3" x 12"	ASFC/SG-3x12		Each		
04	Feed Chute Sleeve	HOCF/CC-3		Each		
05	Feed Rate Indexer Assembly	LCFF/IND-S80		Each		
06	Feed Rate Control Handle	LCFH – 3/16		Each		
07	Throttle Control Handle	LCTH-1/8		Each		
08	Feed Gate Linkage Assembly	ASFC/CR/200-14		Each		
09	Throttle Linkage Strap	ASBUNGEE-15		Each		
10	3" Stainless Steel Flex Hose – 4' Length	HOFH/L-3X48		Each		
11	3" Stainless Steel Flex Hose Handle	ASHN/FH-3		Each		
12	Rubber Base Foot Pad	ASFR/FP-200		Each		
13	Eductor Nozzle U-Bolt	CFMC-3		Each		
14	10" Pneumatic Wheel	WCTR/ST-10		Each		
15	3" Eductor End Tube (Galvanized)	ASED/ET-3		Each		
16	Eductor Nozzle	ASED/200-3		Each		
17	Blower Housing	ABHG-12		Each		
18	Blower Housing Shroud	ABIS-12		Each		
19	12" Impellor Wheel	ABIM/G-12MB		Each		
20	12" Backing Plate for Housing	ABBP-12		Each		
21	4 Hp Honda Engine	MOHE-120QX6		Each		
22	Feed Bag Tray	ASBT/200		Each		
23	Muffler (Stock) for Honda Engine	MOMF/HND-4HP		Each		

IAS Products Ltd. will accept product or parts returned, freight prepaid to manufacturer, at the above address with manufacturer's Returned Materials Authorization number. Upon receipt of the aforesaid, the product or part, if determined defective, will be repaired or replaced at the manufacturer's discretion under terms of warranty. Any product without an RMA number, or arriving freight collect, may be subject to additional administration fees.

PARTS ORDER FORM

S80/S200AeroSpreader™

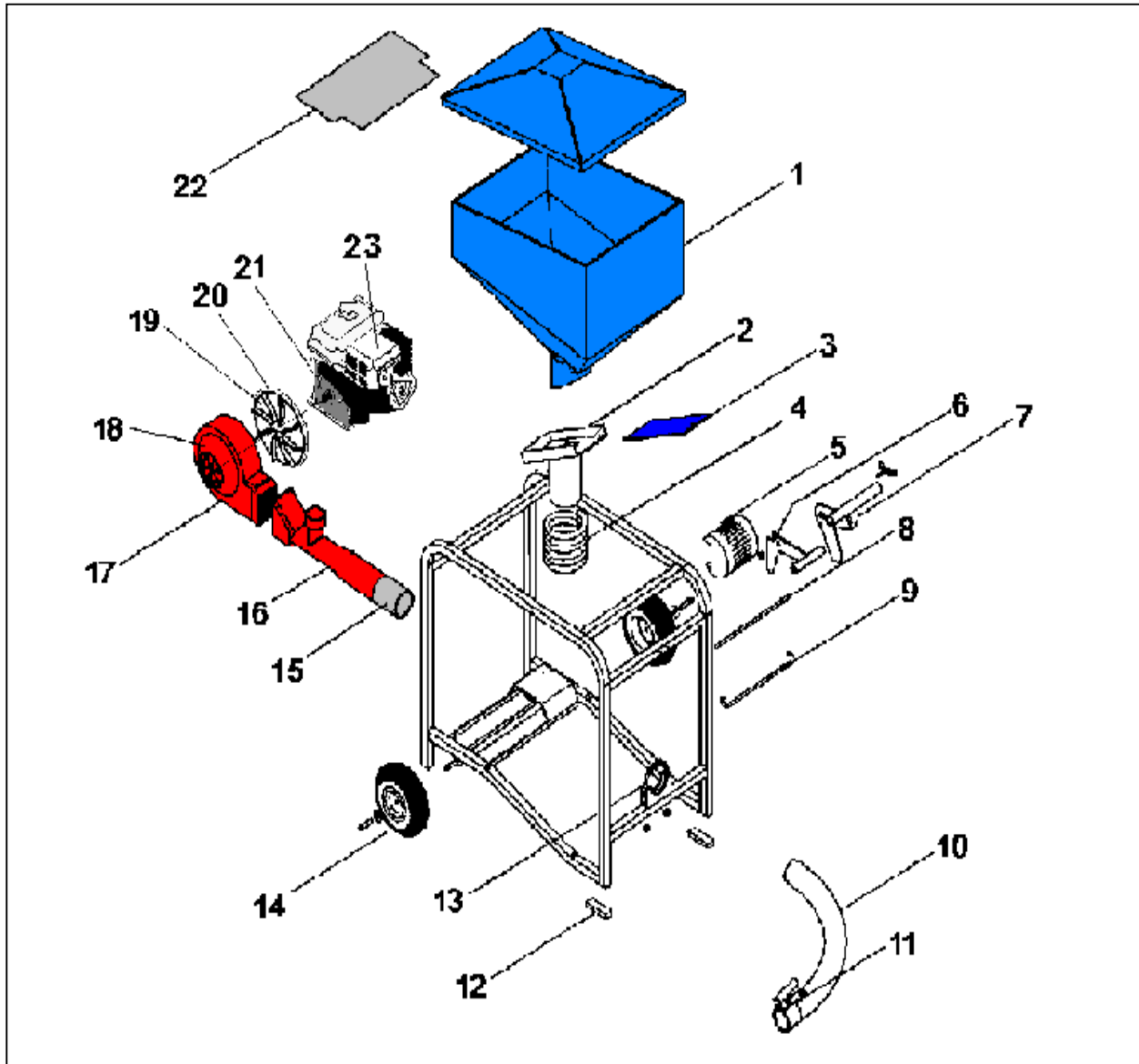
Part# AS-S80



I.A.S. PRODUCTS LTD.

1415 Dominion Street, North Vancouver, British Columbia, Canada V7J 1B3

Tel: +1(604) 924-1844 Fax: +1(604) 924-1848 Web Site: www.iasproducts.com



IAS Products Ltd. will accept product or parts returned, freight prepaid to manufacturer, at the above address with manufacturer's Returned Materials Authorization number. Upon receipt of the aforesaid, the product or part, if determined defective, will be repaired or replaced at the manufacturer's discretion under terms of warranty. Any product without an RMA number, or arriving freight collect, may be subject to additional administration fees.