

# PARTS ORDER FORM

## S5500/S5000AeroSpreader™

Part# AS-S5500



### I.A.S. PRODUCTS LTD.

1415 Dominion Street, North Vancouver, British Columbia, Canada V7J 1B3  
Tel: +1(604) 924-1844 Fax: +1(604) 924-1848 Web Site: [www.iasproducts.com](http://www.iasproducts.com)

Company: \_\_\_\_\_ Site: \_\_\_\_\_

Name: \_\_\_\_\_ Position: \_\_\_\_\_

Phone No: \_\_\_\_\_ Fax No: \_\_\_\_\_

PO Number: \_\_\_\_\_ Serial No: \_\_\_\_\_ Date: \_\_\_\_\_

#### ORDERING INSTRUCTIONS:

1. Completely fill out form. Print clearly.
2. Fax, Email, or Phone in your order to IAS Products Ltd. with a valid purchase order number.
3. Review order confirmation, and submit any changes. (Please fax Parts Order page only.)

NO.	PART NAME/ DESCRIPTION	PART NUMBER	QTY	UNITS	PRICE	TOTAL
01	Lid Roller	ASLD/RO		Each		
02	Cap for Fuel Tank	GFFT/CAP-PVC		Each		
03	6.5 Gal Fuel Tank - Cylinder	GFFT/SA-6.5		Each		
04	Water Separator (Inline) for Fuel Line	GFFL/WS-IL		Each		
05	Flex Hose – Rubber (Spiral)	HOFH/KF-5		Feet		
06	Air Stream Muffler	ASMH/1KSE		Each		
07	Rubber Cuff for Eductor (Quick Release)	PMRB/NP-3/16		Each		
08	Quick Release Binding (Notched Strap)	ASED/QR/BIND		Each		
08	Quick Release Ratchet	ASED/QR/RCHT		Each		
09	Back Bone Assy for Eductor Support	ASED/BB		Each		
10	Eductor Nozzle	ASED/1KSE-5G		Each		
11	Lined Flex Hose (Stainless Steel) 5"	HOFH/L-5		Feet		
12	Rubber Cuff (Q/R) for Feed Chute	HOME/S-5		Each		
13	Feed Chute (Self Cleaning) – 5" Galv	ASFC-5		Each		
14	Feed Chute Slide Gate	ASFC/SG-5X15		Each		
15	Control Cables for Feed Gate – 6'	CWSF/QS-6		Each		
16	Feed/Throttle Control (Dual Lever Assy)	LCTF-2		Each		
17	Index Control for Feed Rate	LCFF/IND-ITA		Each		
18	De-Bridging Rotator Motor	ASRM/AM/C-2K		Each		
19	Deflector Plate for Rotator Motor	ASTL/RC-S2K		Each		
20	Bulk Bag support Frame	ASBF/SF/5K-AL		Each		

IAS Products Ltd. will accept product or parts returned, freight prepaid to manufacturer, at the above address with manufacturer's Returned Materials Authorization number. Upon receipt of the aforesaid, the product or part, if determined defective, will be repaired or replaced at the manufacturer's discretion under terms of warranty. Any product without an RMA number, or arriving freight collect, may be subject to additional administration fees.

# PARTS ORDER FORM

## S5500/S5000AeroSpreader™

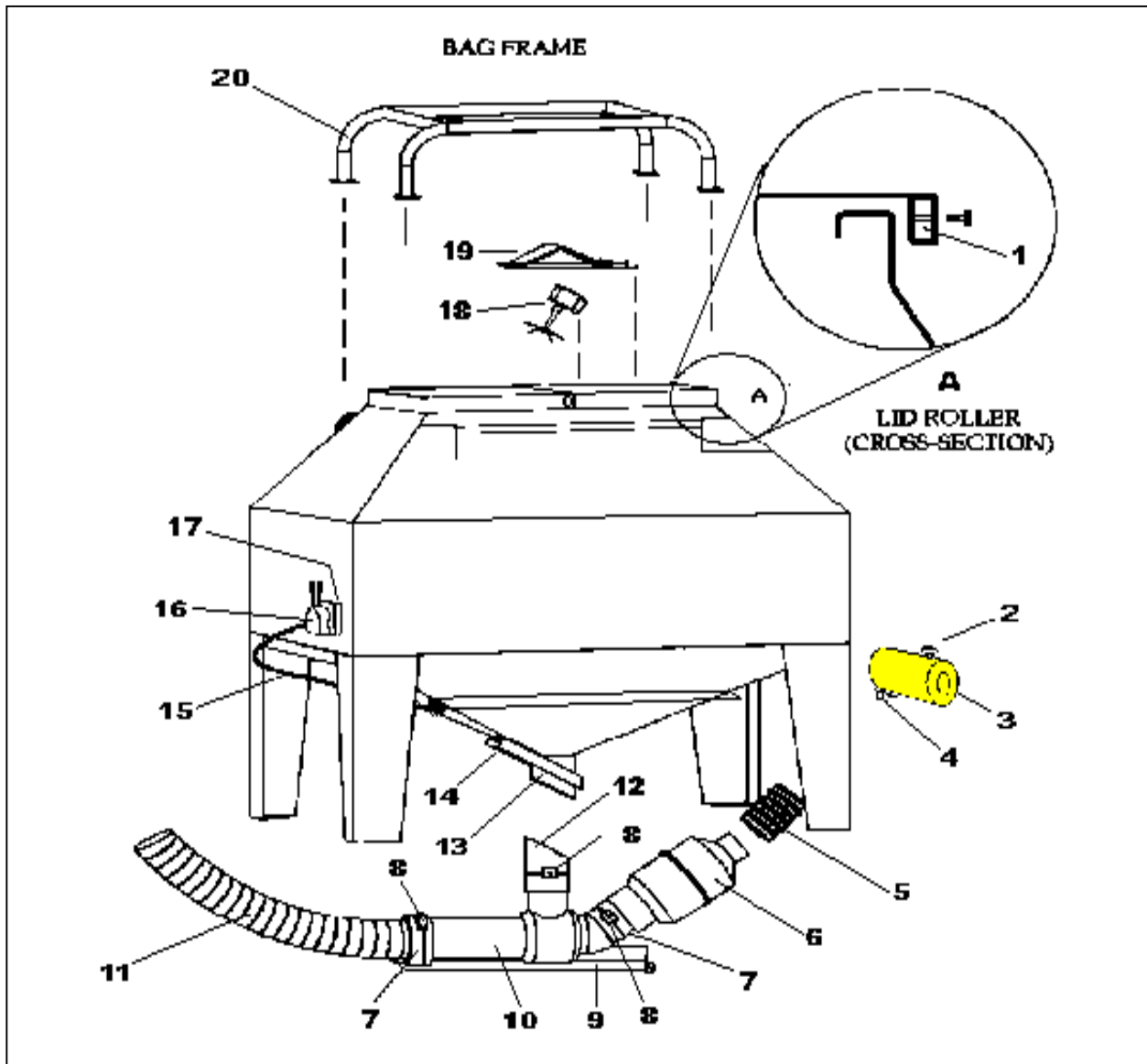
Part# AS-S5500



### I.A.S. PRODUCTS LTD.

1415 Dominion Street, North Vancouver, British Columbia, Canada V7J 1B3

Tel: +1(604) 924-1844 Fax: +1(604) 924-1848 Web Site: [www.iasproducts.com](http://www.iasproducts.com)



IAS Products Ltd. will accept product or parts returned, freight prepaid to manufacturer, at the above address with manufacturer's Returned Materials Authorization number. Upon receipt of the aforesaid, the product or part, if determined defective, will be repaired or replaced at the manufacturer's discretion under terms of warranty. Any product without an RMA number, or arriving freight collect, may be subject to additional administration fees.