

# PARTS ORDER FORM

## S500/S300 AeroSpreader™

**Part# AS-S500**



### **I.A.S. PRODUCTS LTD.**

1415 Dominion Street, North Vancouver, British Columbia, Canada V7J 1B3  
Tel: +1(604) 924-1844 Fax: +1(604) 924-1848 Web Site: [www.iasproducts.com](http://www.iasproducts.com)

Company: \_\_\_\_\_ Site: \_\_\_\_\_

Name: \_\_\_\_\_ Position: \_\_\_\_\_

Phone No: \_\_\_\_\_ Fax No: \_\_\_\_\_

PO Number: \_\_\_\_\_ Serial No: \_\_\_\_\_ Date: \_\_\_\_\_

#### **ORDERING INSTRUCTIONS:**

1. Completely fill out form. Print clearly.
2. Fax, Email, or Phone in your order to IAS Products Ltd. with a valid purchase order number.
3. Review order confirmation, and submit any changes. (Please fax Parts Order page only.)

NO.	PART NAME/ DESCRIPTION	PART NUMBER	QTY	UNITS	PRICE	TOTAL
01	Lid Roller	ASLD/RO		Each		
02	Feed Chute – Self Cleaning (Enclosed)	ASFC-5		Each		
03	Feed Chute Cuff	HOME/S-5		Feet		
04	Eductor Assembly	ASED/1K-5G		Each		
05	5" Eductor U-Bolt	CFMC-5		Each		
06	Control Cables for Feed Gate – 6'	CWSF/QS-6		Each		
07	Lower 5" Lined Flex Hose	HOFH/L-5		Feet		
08	Handle for Nozzle End – 5"	ASHN/FH-5		Each		
09	Extension Tube Clamp	ASET/CL-5		Each		
10	Extension Tube 5"x2' Grey	ASET/PM/G-5		Each		
11	Feed/Throttle Control (Dual Lever Assy.)	LCTF-2		Each		
12	Rotator Motor (Feed Chute De-Bridging)	ASRM/1KSE/AM-C		Each		
13	Rotator Motor Cover (Deflector Plate)	ASTL/RC-S		Each		
14	Grab Handle (Alum. 11.5"x7")	LCGH/AL-7		Each		
15	Hopper Lid	ASLD/1K		Each		

IAS Products Ltd. will accept product or parts returned, freight prepaid to manufacturer, at the above address with manufacturer's Returned Materials Authorization number. Upon receipt of the aforesaid, the product or part, if determined defective, will be repaired or replaced at the manufacturer's discretion under terms of warranty. Any product without an RMA number, or arriving freight collect, may be subject to additional administration fees.

# PARTS ORDER FORM

## S500/S300 AeroSpreader™

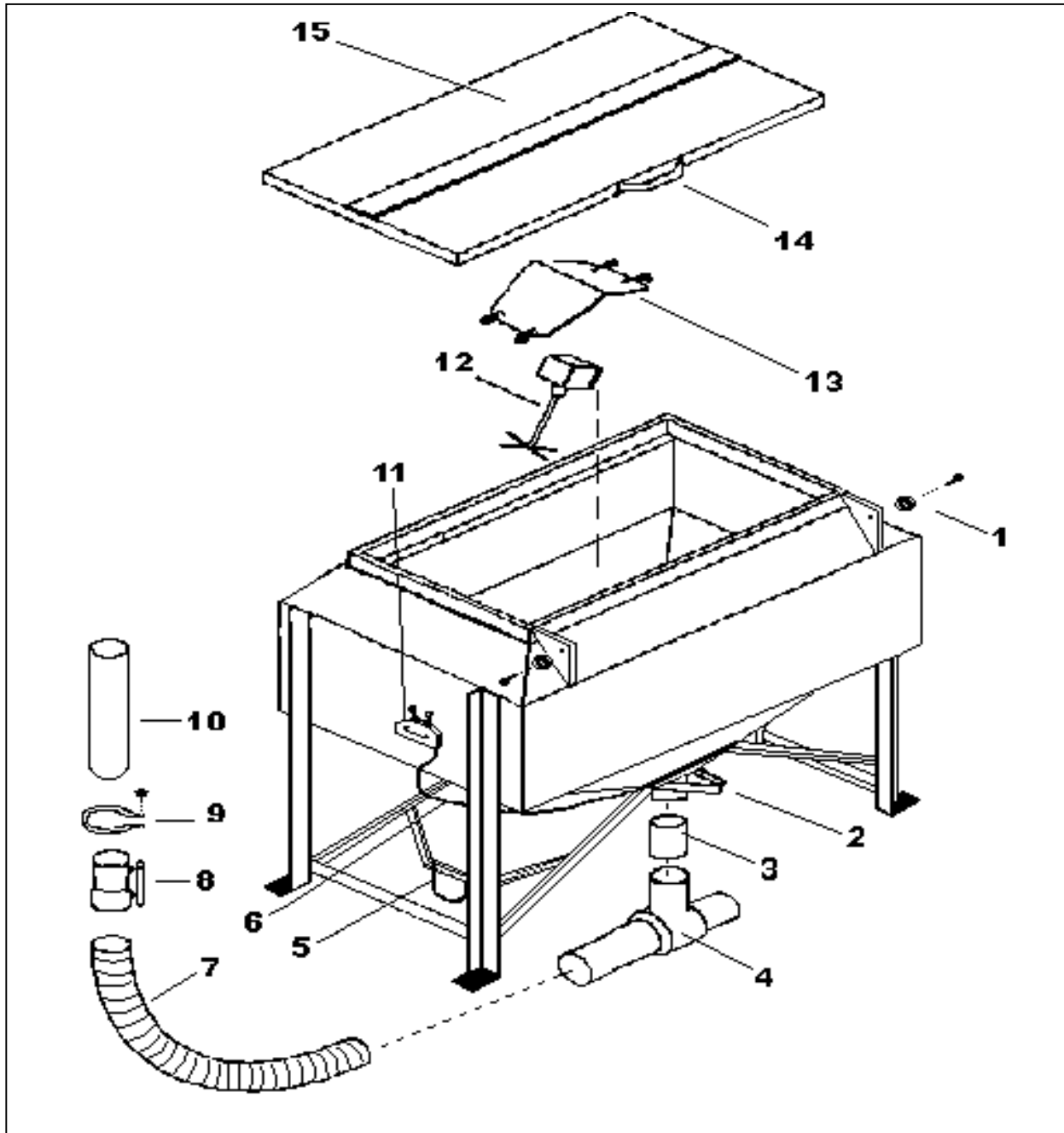
Part# AS-S500



### **I.A.S. PRODUCTS LTD.**

1415 Dominion Street, North Vancouver, British Columbia, Canada V7J 1B3

Tel: +1(604) 924-1844 Fax: +1(604) 924-1848 Web Site: [www.iasproducts.com](http://www.iasproducts.com)



IAS Products Ltd. will accept product or parts returned, freight prepaid to manufacturer, at the above address with manufacturer's Returned Materials Authorization number. Upon receipt of the aforesaid, the product or part, if determined defective, will be repaired or replaced at the manufacturer's discretion under terms of warranty. Any product without an RMA number, or arriving freight collect, may be subject to additional administration fees.