

PARTS ORDER FORM

S2500/S2000AeroSpreader™

Part# AS-S2500



I.A.S. PRODUCTS LTD.

1415 Dominion Street, North Vancouver, British Columbia, Canada V7J 1B3
Tel: +1(604) 924-1844 Fax: +1(604) 924-1848 Web Site: www.iasproducts.com

Company: _____ Site: _____

Name: _____ Position: _____

Phone No: _____ Fax No: _____

PO Number: _____ Serial No: _____ Date: _____

ORDERING INSTRUCTIONS:

1. Completely fill out form. Print clearly.
2. Fax, Email, or Phone in your order to IAS Products Ltd. with a valid purchase order number.
3. Review order confirmation, and submit any changes. (Please fax Parts Order page only.)

NO.	PART NAME/ DESCRIPTION	PART NUMBER	QTY	UNITS	PRICE	TOTAL
01	Lid Rollers/Hardware	ASLD/RO		Each		
02	Fuel Tank Filler Cap	GFFT/CAP-PVC		Each		
03	Fuel Tank (Custom Manufactured)	GFFT/CA-5		Each		
04	Shut Off Valve (Ball Valve)	CFBV/STD-1/4		Each		
05	Water Separator (Inline) for Fuel Line	GFFL/WS-IL		Each		
06	_ " Fuel Line Hose	HOFL/AUTO-1/4"		Feet		
07	Flex Hose – Rubber (Spiral)	HOFH/KF-5		Feet		
08	Air Stream Muffler	ASMH/1KSE		Each		
09	Quick Release Binding (Notched Strap)	ASED/QR/BIND		Each		
09	Quick Release Ratchet	ASED/QR/RCHT		Each		
10	Rubber Cuff for Eductor (Quick Release)	PMRB/NP-3/16		Each		
11	Eductor Nozzle	ASED/1KSE-5G		Each		
12	Lined Flex Hose (Stainless Steel) 5"	HOFH/L-5		Feet		
13	Rubber Cuff (Q/R) for Feed Chute	HOME/S-5		Each		
14	Feed Chute (Self Cleaning) – 5" Galv.	ASFC-5		Each		
15	Feed Chute Slide Gate	ASFC/SG-5X15		Each		
16	Control Cables for Feed Gate – 6'	CWSF/QS-6		Each		
17	Feed/Throttle Control (Dual Lever Assy.)	LCTF-2		Each		
18	Index Control for Feed Rate	LCFF/IND-ITA		Each		
19	De-Bridging Rotator Motor	ASRM/AM/C-2K		Each		
20	Deflector Plate for Rotator Motor	ASTL/RC-S2K		Each		
21	Bulk Bag Support Frame	ASBF/SF/5K-AL		Each		

IAS Products Ltd. will accept product or parts returned, freight prepaid to manufacturer, at the above address with manufacturer's Returned Materials Authorization number. Upon receipt of the aforesaid, the product or part, if determined defective, will be repaired or replaced at the manufacturer's discretion under terms of warranty. Any product without an RMA number, or arriving freight collect, may be subject to additional administration fees.

PARTS ORDER FORM

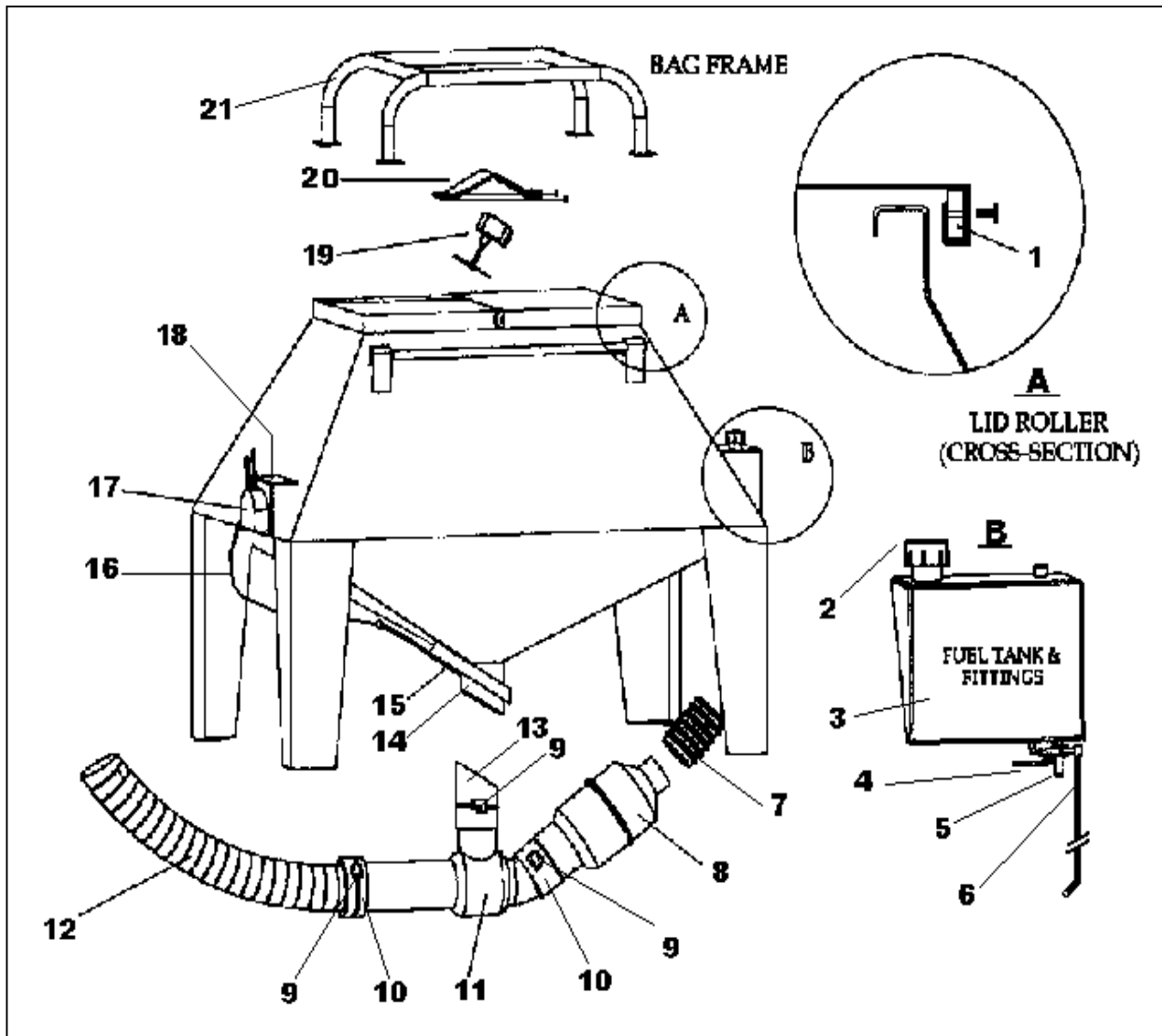
S2500/S2000 AeroSpreader™

Part# AS-S2500



I.A.S. PRODUCTS LTD.

1415 Dominion Street, North Vancouver, British Columbia, Canada V7J 1B3
Tel: +1(604) 924-1844 Fax: +1(604) 924-1848 Web Site: www.iasproducts.com



IAS Products Ltd. will accept product or parts returned, freight prepaid to manufacturer, at the above address with manufacturer's Returned Materials Authorization number. Upon receipt of the aforesaid, the product or part, if determined defective, will be repaired or replaced at the manufacturer's discretion under terms of warranty. Any product without an RMA number, or arriving freight collect, may be subject to additional administration fees.