

PARTS ORDER FORM

S1000SE AeroSpreader™

Part# AS-S1000SE



I.A.S. PRODUCTS LTD.

1415 Dominion Street, North Vancouver, British Columbia, Canada V7J 1B3
Tel: +1(604) 924-1844 Fax: +1(604) 924-1848 Web Site: www.iasproducts.com

Company: _____ Site: _____

Name: _____ Position: _____

Phone No: _____ Fax No: _____

PO Number: _____ Serial No: _____ Date: _____

ORDERING INSTRUCTIONS:

1. Completely fill out form. Print clearly.
2. Fax, Email, or Phone in your order to IAS Products Ltd. with a valid purchase order number.
3. Review order confirmation, and submit any changes. (Please fax Parts Order page only.)

NO.	PART NAME/ DESCRIPTION	PART NUMBER	QTY	UNITS	PRICE	TOTAL
01	Lid Roller	ASLD/RO		Each		
02	Eductor Assembly	ASED/1KSE-5G		Each		
03	Feed Chute Cuff	ASRC/CA/1KSE-5		Each		
04	Air Stream Muffler	ASMH/1KSE		Each		
05	Muffler/ Eductor Zip Cuff	ASRC/MS/1KSE-5		Each		
06	5" Eductor U-Bolt	CFMC-5		Each		
07	Feed Chute Lever Handle Assembly	ASFC/C/A		Each		
08	Oscillator Control Box	ASOS/CTRL/JB		Each		
09	12V/7RPM Oscillator Gear Motor	ASOS/MO		Each		
10	Oscillator Arm	ASOS/ARM		Each		
11	Oscillator Protective Shroud	ASOS/CVR		Each		
12	Rotator Motor (Feed Chute De-Bridging)	ASRM/1KSE/AM-C		Each		
13	Rotator Motor Cover (Deflector Plate)	ASTL/RC-S		Each		
14	Lower 5" Lined Flex Hose	HOFH/L-5		Feet		
15	Vertical Pipe with Ring – 5"	ASPS/VP&R-5		Each		
16	Rotator Disc and Hub Galvanized – 5"	ASOS/RD/C-G		Each		
17	Strut Support Arm (Wishbone)	ASPS/BA		Each		
18	Strut Adjuster Knob	CFKB/SA/F-3/8		Each		
19	Strut Adjuster Arm	ASPS/AA		Each		
20	Upper 5" Lined Flex Hose	HOFH/L-5		Feet		
21	Extension Tube Clamp	ASET/CL-5		Each		
22	Extension Tube 5"x2' Grey	ASET/PM/G-5		Each		
23	Hopper Lid	ASLD/1KSE		Each		
24	Grab Handle (Alum. 11.5"x7")	LCGH/AL-7		Each		
25	Linkage Control Rod for Feed Chute	ASFC/CC/LR		Each		
26	Feed Chute – Self Cleaning (Enclosed)	ASFC-5		Each		
27	1" Hitch Clip (Optional Cable)	HDHC-1		Each		
28	End (Outlet) Nozzle Galvanized	ASPS/EN		Each		

IAS Products Ltd. will accept product or parts returned, freight prepaid to manufacturer, at the above address with manufacturer's Returned Materials Authorization number. Upon receipt of the aforesaid, the product or part, if determined defective, will be repaired or replaced at the manufacturer's discretion under terms of warranty. Any product without an RMA number, or arriving freight collect, may be subject to additional administration fees.

PARTS ORDER FORM

S1000SE AeroSpreader™

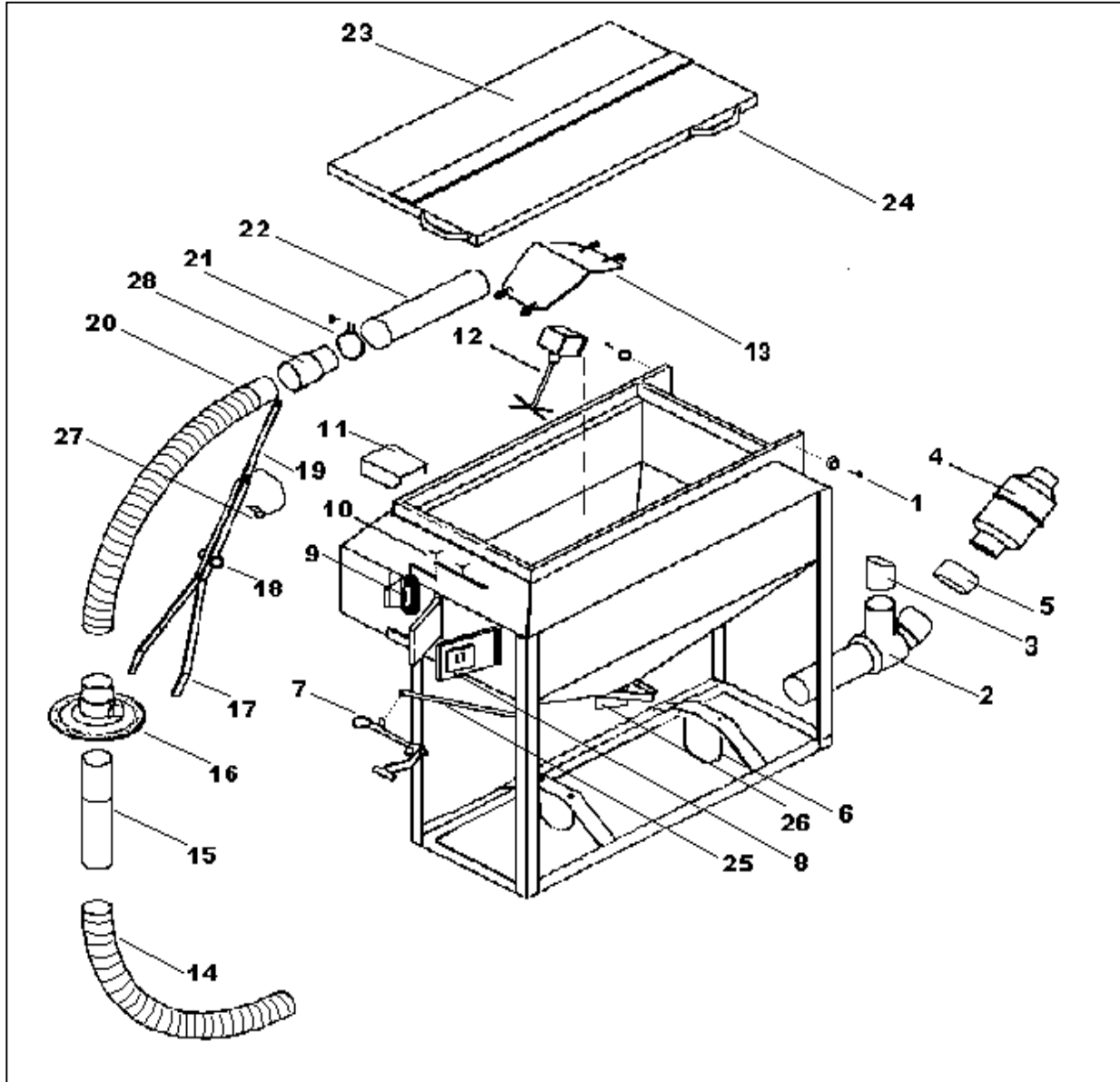
Part# AS-S1000SE



I.A.S. PRODUCTS LTD.

1415 Dominion Street, North Vancouver, British Columbia, Canada V7J 1B3

Tel: +1(604) 924-1844 Fax: +1(604) 924-1848 Web Site: www.iasproducts.com



IAS Products Ltd. will accept product or parts returned, freight prepaid to manufacturer, at the above address with manufacturer's Returned Materials Authorization number. Upon receipt of the aforesaid, the product or part, if determined defective, will be repaired or replaced at the manufacturer's discretion under terms of warranty. Any product without an RMA number, or arriving freight collect, may be subject to additional administration fees.