

PARTS ORDER FORM

S1000/S400 AeroSpreader™

Part# AS-S1000



I.A.S. PRODUCTS LTD.

1415 Dominion Street, North Vancouver, British Columbia, Canada V7J 1B3
Tel: +1(604) 924-1844 Fax: +1(604) 924-1848 Web Site: www.iasproducts.com

Company: _____ Site: _____

Name: _____ Position: _____

Phone No: _____ Fax No: _____

PO Number: _____ Serial No: _____ Date: _____

ORDERING INSTRUCTIONS:

1. Completely fill out form. Print clearly.
2. Fax, Email, or Phone in your order to IAS Products Ltd. with a valid purchase order number.
3. Review order confirmation, and submit any changes. (Please fax Parts Order page only.)

NO.	PART NAME/ DESCRIPTION	PART NUMBER	QTY	UNITS	PRICE	TOTAL
01	Lid Roller	ASLD/RO		Each		
02	Feed Chute – Self Cleaning (Enclosed)	ASFC-5		Each		
03	Feed Chute Cuff	HOME/S-5		Feet		
04	Eductor Assembly	ASED/1K-5G		Each		
05	5" Eductor U-Bolt	CFMC-5		Each		
06	Control Cables for Feed Gate – 6'	CWSF/QS-6		Each		
07	Lower 5" Lined Flex Hose	HOFH/L-5		Feet		
08	Vertical Pipe with Ring – 5"	ASPS/VP&R-5		Each		
09	Rotator Disc and Hub Galvanized – 5"	ASOS/RD/C-G		Each		
10	Strut Support Arm (Wishbone)	ASPS/BA		Each		
11	Strut Adjuster Knob	CFKB/SA/F-3/8		Each		
12	12V/7RPM Oscillator Gear Motor	ASOS/MO		Each		
13	1" Hitch Clip (Optional Cable)	HDHC-1		Each		
14	Oscillator Arm	ASOS/ARM		Each		
15	Strut Adjuster Arm	ASPS/AA		Each		
16	Upper 5" Lined Flex Hose	HOFH/L-5		Feet		
17	End (Outlet) Nozzle Galvanized	ASPS/EN		Each		
18	Feed/Throttle Control (Dual Lever Assy.)	LCTF-2		Each		
19	Oscillator Control Box	ASOS/CTRL/JB		Each		
20	Extension Tube Clamp	ASET/CL-5		Each		
21	Extension Tube 5"x2' Grey	ASET/PM/G-5		Each		
22	Rotator Motor (Feed Chute De-Bridging)	ASRM/1KSE/AM-C		Each		
23	Rotator Motor Cover (Deflector Plate)	ASTL/RC-S		Each		
24	Grab Handle (Alum. 11.5"x7")	LCGH/AL-7		Each		
25	Hopper Lid	ASLD/1K		Each		

IAS Products Ltd. will accept product or parts returned, freight prepaid to manufacturer, at the above address with manufacturer's Returned Materials Authorization number. Upon receipt of the aforesaid, the product or part, if determined defective, will be repaired or replaced at the manufacturer's discretion under terms of warranty. Any product without an RMA number, or arriving freight collect, may be subject to additional administration fees.

PARTS ORDER FORM

S1000/S400 AeroSpreader™

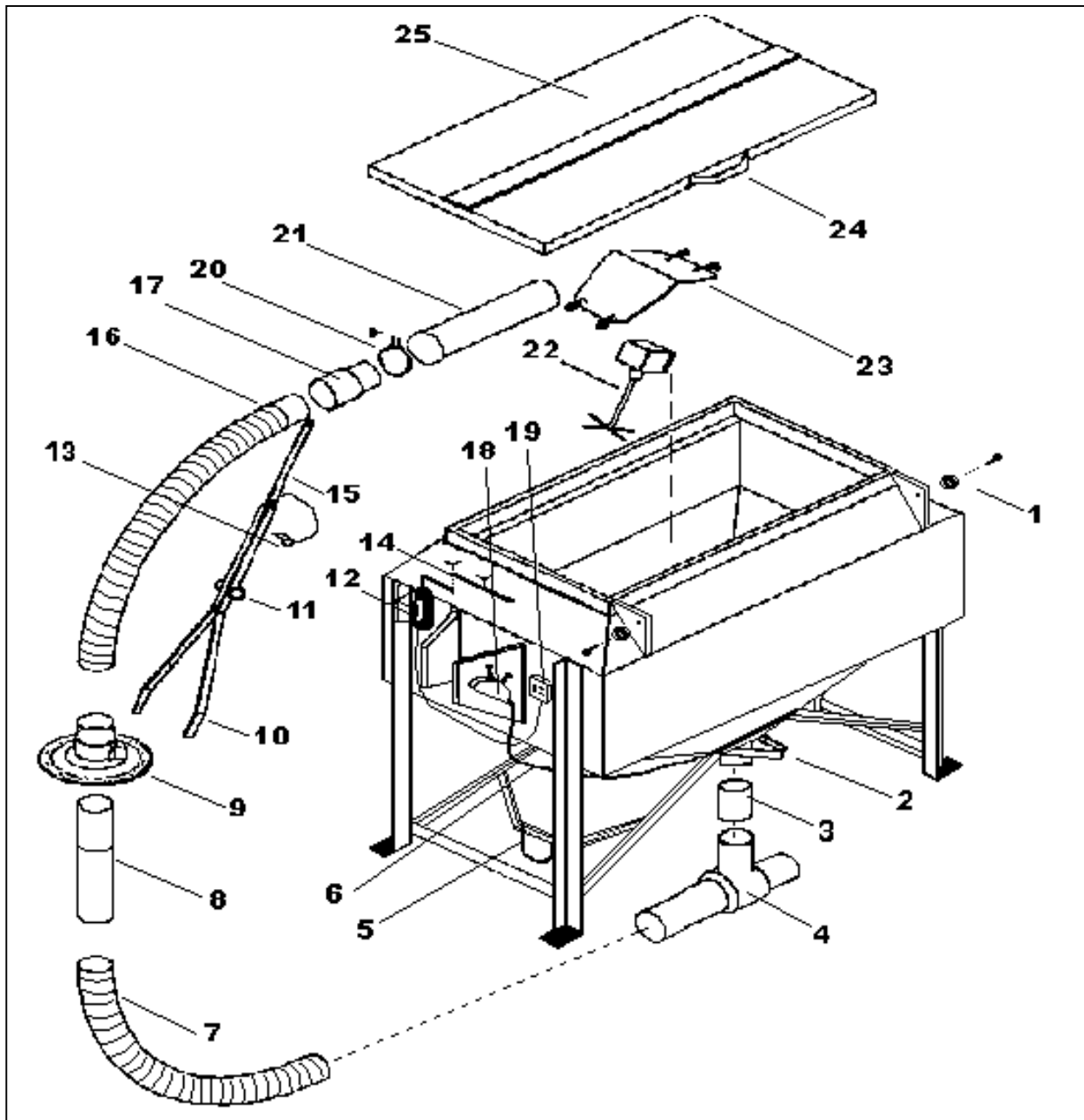
Part# AS-S1000



I.A.S. PRODUCTS LTD.

1415 Dominion Street, North Vancouver, British Columbia, Canada V7J 1B3

Tel: +1(604) 924-1844 Fax: +1(604) 924-1848 Web Site: www.iasproducts.com



IAS Products Ltd. will accept product or parts returned, freight prepaid to manufacturer, at the above address with manufacturer's Returned Materials Authorization number. Upon receipt of the aforesaid, the product or part, if determined defective, will be repaired or replaced at the manufacturer's discretion under terms of warranty. Any product without an RMA number, or arriving freight collect, may be subject to additional administration fees.