

# PARTS ORDER FORM

## Low Angle Oscillator (5")

Part# ASOS/LA



### **I.A.S. PRODUCTS LTD.**

1415 Dominion Street, North Vancouver, British Columbia, Canada V7J 1B3

Tel: +1(604) 924-1844 Fax: +1(604) 924-1848 Web Site: [www.iasproducts.com](http://www.iasproducts.com)

Company: \_\_\_\_\_ Site: \_\_\_\_\_

Name: \_\_\_\_\_ Position: \_\_\_\_\_

Phone No: \_\_\_\_\_ Fax No: \_\_\_\_\_

PO Number: \_\_\_\_\_ Serial No: \_\_\_\_\_ Date: \_\_\_\_\_

#### **ORDERING INSTRUCTIONS:**

1. Completely fill out form. Print clearly.
2. Fax, Email, or Phone in your order to IAS Products Ltd. with a valid purchase order number.
3. Review order confirmation, and submit any changes. (Please fax Parts Order page only.)

NO.	PART NAME/ DESCRIPTION	PART NUMBER	QTY	UNITS	PRICE	TOTAL
01	Stainless Steel Lined Flex Hose 5"	HOFH/L-5		Each		
02	Linkage Arm (Push Arm) – 12"	ASOS/LA/A-12		Each		
03	Gear Motor for Oscillator 12V/7RPM	MOGM/OSC-7		Each		
04	Shroud Cover for Gear Motor	ASOS/LA/SH		Each		
05	Vertical Height Adjuster Pin	ASOS/LA/VAP		Each		
06	Protective Dust Cover for Flex Hose	CFSLV-5X26		Each		
07	Frame Assembly	ASOS/LA/FRM		Each		
08	Integrated SS Extension Tube	ASOS/LA/ET-5		Each		

IAS Products Ltd. will accept product or parts returned, freight prepaid to manufacturer, at the above address with manufacturer's Returned Materials Authorization number. Upon receipt of the aforesaid, the product or part, if determined defective, will be repaired or replaced at the manufacturer's discretion under terms of warranty. Any product without an RMA number, or arriving freight collect, may be subject to additional administration fees.

# PARTS ORDER FORM

## Low Angle Oscillator (5")

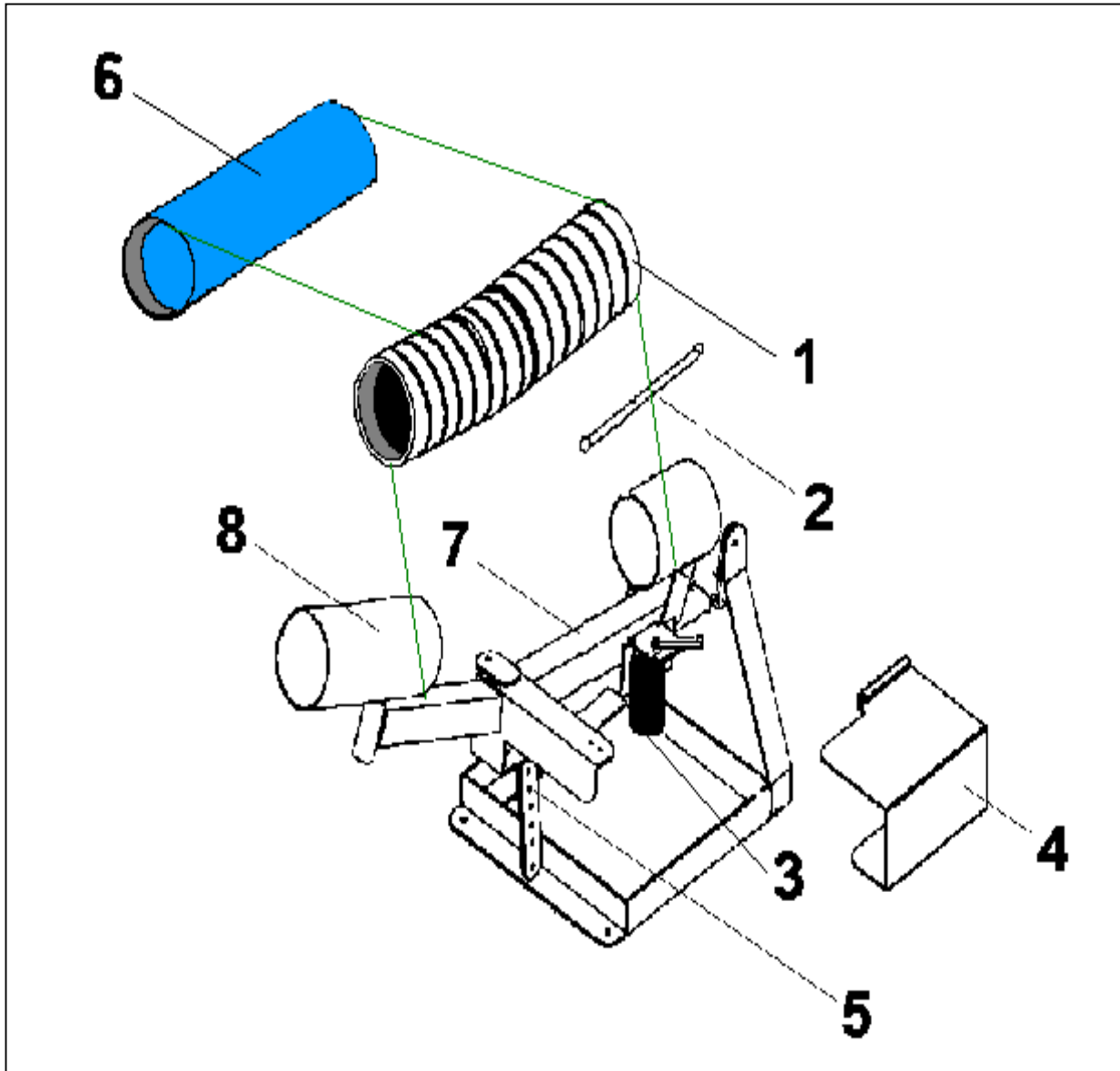
Part# ASOS/LA



### **I.A.S. PRODUCTS LTD.**

1415 Dominion Street, North Vancouver, British Columbia, Canada V7J 1B3

Tel: +1(604) 924-1844 Fax: +1(604) 924-1848 Web Site: [www.iasproducts.com](http://www.iasproducts.com)



IAS Products Ltd. will accept product or parts returned, freight prepaid to manufacturer, at the above address with manufacturer's Returned Materials Authorization number. Upon receipt of the aforesaid, the product or part, if determined defective, will be repaired or replaced at the manufacturer's discretion under terms of warranty. Any product without an RMA number, or arriving freight collect, may be subject to additional administration fees.