

# PARTS ORDER FORM

## AB-150 AeriteBlower™ (9HP)

Part# AB/GS-15



### **I.A.S. PRODUCTS LTD.**

1415 Dominion Street, North Vancouver, British Columbia, Canada V7J 1B3  
Tel: +1(604) 924-1844 Fax: +1(604) 924-1848 Web Site: [www.iasproducts.com](http://www.iasproducts.com)

Company: \_\_\_\_\_ Site: \_\_\_\_\_

Name: \_\_\_\_\_ Position: \_\_\_\_\_

Phone No: \_\_\_\_\_ Fax No: \_\_\_\_\_

PO Number: \_\_\_\_\_ Serial No: \_\_\_\_\_ Date: \_\_\_\_\_

#### **ORDERING INSTRUCTIONS:**

1. Completely fill out form. Print clearly.
2. Fax, Email, or Phone in your order to IAS Products Ltd. with a valid purchase order number.
3. Review order confirmation, and submit any changes. (Please fax Parts Order page only.)

NO.	PART NAME/ DESCRIPTION	PART NUMBER	QTY	UNITS	PRICE	TOTAL
01	Custom 9HP Honda Silencing Muffler	MOMF/CS-9HP		Each		
02	Stock Honda Replacement Muffler	MOMF/HND-9HP		Each		
03A	Honda 9hp Gas Motor (Manual Start)	MOHE-270QA		Each		
03B	Honda 9hp Gas Motor (Electric Start)	MOHE-270QAE		Each		
04	Heat Shield	ABHS-15		Each		
05	Anti Vibration Dampeners	CFBB50/25B57		Each		
06	Motor Base Support Plate	ASBB/MP-9HP		Each		
07	Inlet Horn for Shroud	ABIH/GR-6RED		Each		
08	Shroud for Molded Housing	ABIS-15		Each		
09	Blower Housing	ABHG-15		Each		
10	Impellor Wheel	ABIM/G-15MB		Each		
11	Backing Plate for Housing	ABBP-15		Each		

IAS Products Ltd. will accept product or parts returned, freight prepaid to manufacturer, at the above address with manufacturer's Returned Materials Authorization number. Upon receipt of the aforesaid, the product or part, if determined defective, will be repaired or replaced at the manufacturer's discretion under terms of warranty. Any product without an RMA number, or arriving freight collect, may be subject to additional administration fees.

# PARTS ORDER FORM

## AB-150 AeriteBlower™ (9HP)

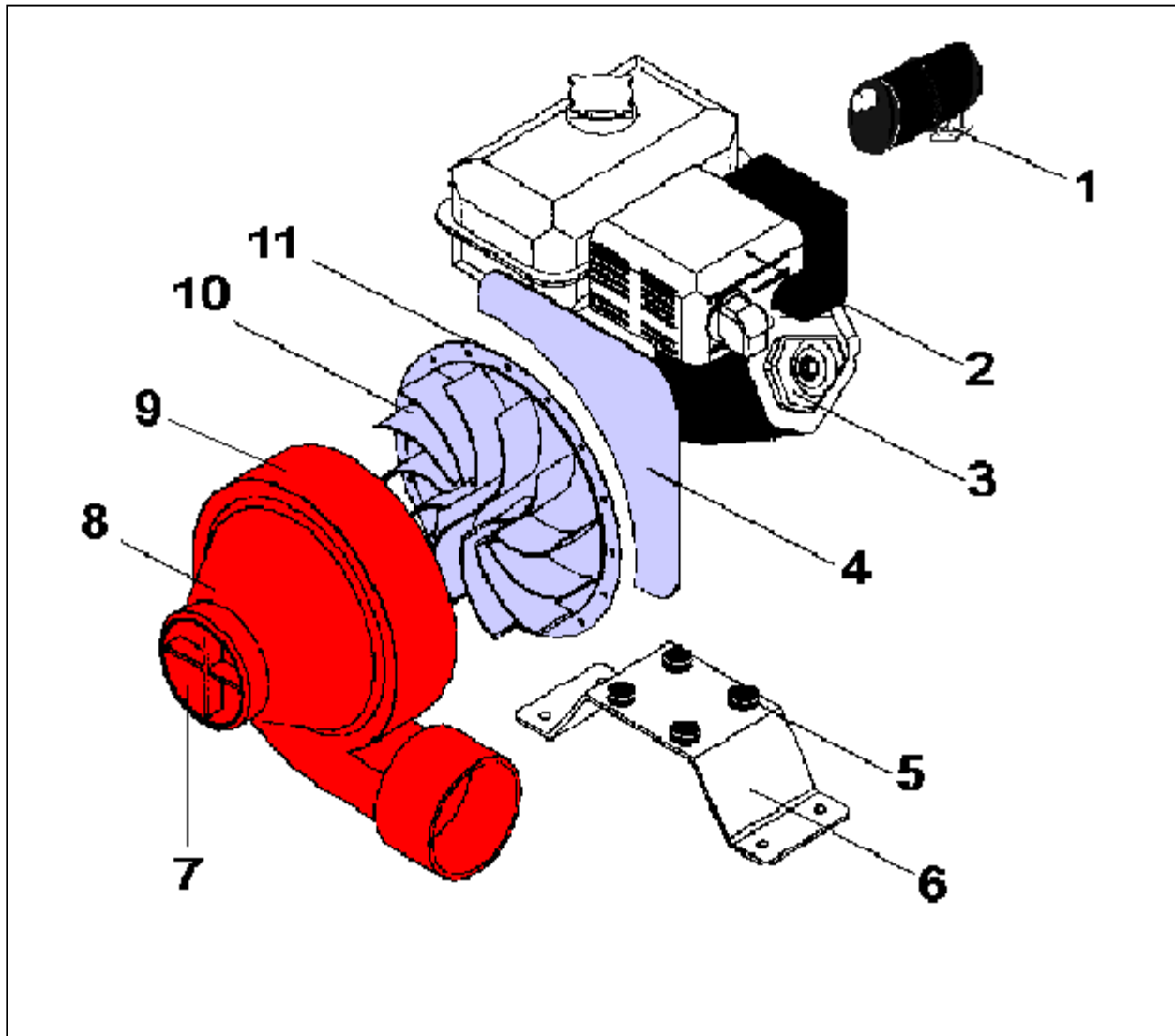
Part# AB/GS-15



### **I.A.S. PRODUCTS LTD.**

1415 Dominion Street, North Vancouver, British Columbia, Canada V7J 1B3

Tel: +1(604) 924-1844 Fax: +1(604) 924-1848 Web Site: [www.iasproducts.com](http://www.iasproducts.com)



IAS Products Ltd. will accept product or parts returned, freight prepaid to manufacturer, at the above address with manufacturer's Returned Materials Authorization number. Upon receipt of the aforesaid, the product or part, if determined defective, will be repaired or replaced at the manufacturer's discretion under terms of warranty. Any product without an RMA number, or arriving freight collect, may be subject to additional administration fees.