

# PARTS ORDER FORM

## AeriteBlower™ Noise Reduction Enclosure (AB-150/9HP)

Part# ASBB-9HP



### I.A.S. PRODUCTS LTD.

1415 Dominion Street, North Vancouver, British Columbia, Canada V7J 1B3

Tel: +1(604) 924-1844 Fax: +1(604) 924-1848 Web Site: [www.iasproducts.com](http://www.iasproducts.com)

Company: \_\_\_\_\_ Site: \_\_\_\_\_

Name: \_\_\_\_\_ Position: \_\_\_\_\_

Phone No: \_\_\_\_\_ Fax No: \_\_\_\_\_

PO Number: \_\_\_\_\_ Serial No: \_\_\_\_\_ Date: \_\_\_\_\_

#### ORDERING INSTRUCTIONS:

1. Completely fill out form. Print clearly.
2. Fax, Email, or Phone in your order to IAS Products Ltd. with a valid purchase order number.
3. Review order confirmation, and submit any changes. (Please fax Parts Order page only.)

NO.	PART NAME/ DESCRIPTION	PART NUMBER	QTY	UNITS	PRICE	TOTAL
01	Silencing 9HP Blower Box Shell 9HP	ASBB/IS-9HP		Each		
02	Custom 9HP Honda Silencing Muffler	MOMF/CS-9HP		Each		
03	Stock Honda Replacement Muffler	MOMF/HND-9HP		Each		
04	Honda 9hp Gas Motor (Manual Start)	MOHE-270QA		Each		
05	Honda 9hp Gas Motor (18A Elec. Start)	MOHE-270QAE		Each		
06	Blower Box Base Frame – 9HP	ASBB/FR-9HP		Each		
07	Motor Base Support Plate – 9HP	ASBB/MP-9HP		Each		
08	Foot Pad for Blower Box Anti-Vibration	ASBB/FP-1X3		Each		

IAS Products Ltd. will accept product or parts returned, freight prepaid to manufacturer, at the above address with manufacturer's Returned Materials Authorization number. Upon receipt of the aforesaid, the product or part, if determined defective, will be repaired or replaced at the manufacturer's discretion under terms of warranty. Any product without an RMA number, or arriving freight collect, may be subject to additional administration fees.

# PARTS ORDER FORM

*AeriteBlower™ Noise Reduction Enclosure (AB-150/9HP)*

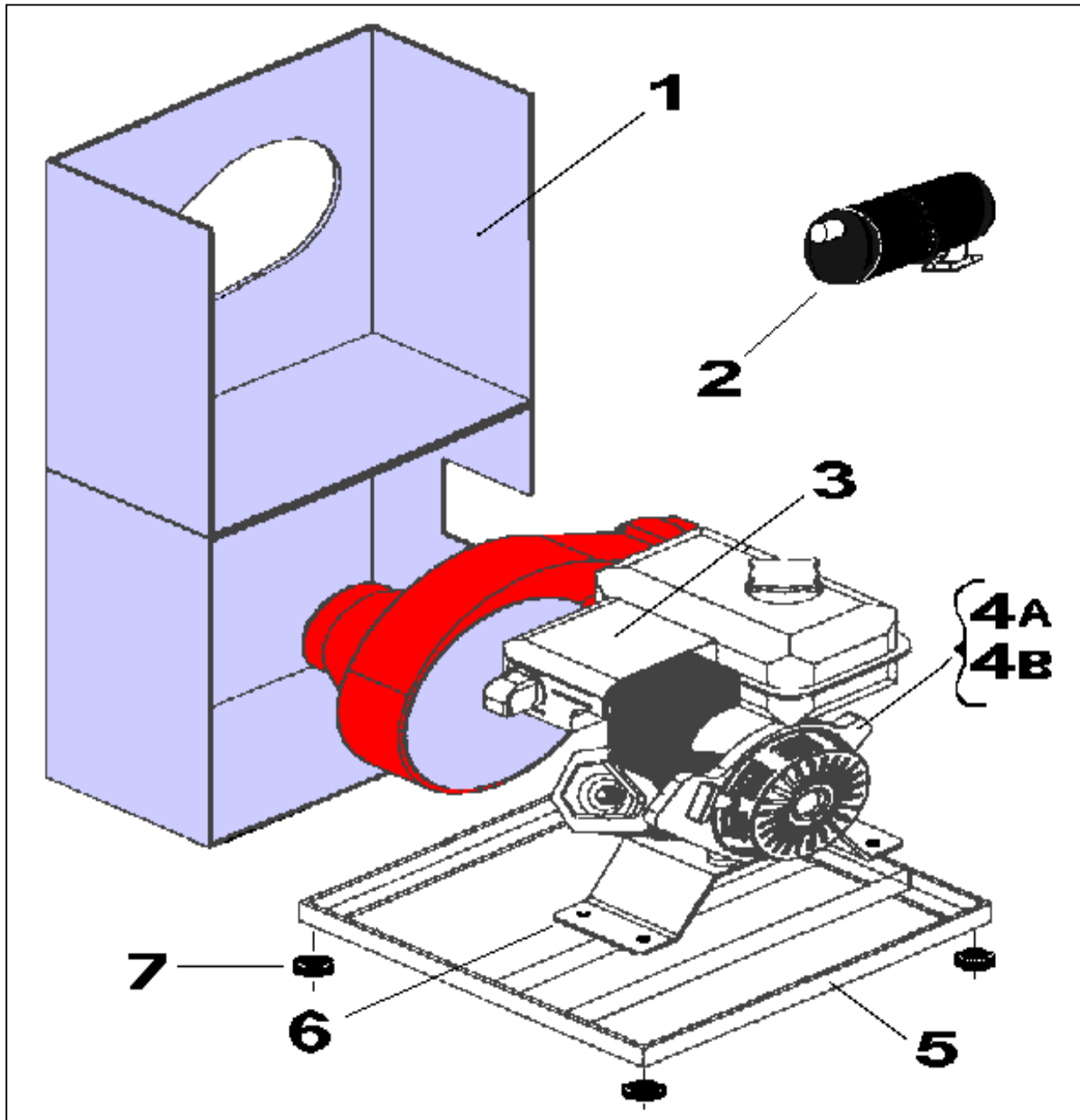
Part# ASBB-9HP



**I.A.S. PRODUCTS LTD.**

1415 Dominion Street, North Vancouver, British Columbia, Canada V7J 1B3

Tel: +1(604) 924-1844 Fax: +1(604) 924-1848 Web Site: [www.iasproducts.com](http://www.iasproducts.com)



IAS Products Ltd. will accept product or parts returned, freight prepaid to manufacturer, at the above address with manufacturer's Returned Materials Authorization number. Upon receipt of the aforesaid, the product or part, if determined defective, will be repaired or replaced at the manufacturer's discretion under terms of warranty. Any product without an RMA number, or arriving freight collect, may be subject to additional administration fees.

Page 2 of 2