

PARTS ORDER FORM

AB-120 AeriteBlower™

Part# AB/GS-12



I.A.S. PRODUCTS LTD.

1415 Dominion Street, North Vancouver, British Columbia, Canada V7J 1B3

Tel: +1(604) 924-1844 Fax: +1(604) 924-1848 Web Site: www.iasproducts.com

Company: _____ Site: _____

Name: _____ Position: _____

Phone No: _____ Fax No: _____

PO Number: _____ Serial No: _____ Date: _____

ORDERING INSTRUCTIONS:

1. Completely fill out form. Print clearly.
2. Fax, Email, or Phone in your order to IAS Products Ltd. with a valid purchase order number.
3. Review order confirmation, and submit any changes. (Please fax Parts Order page only.)

NO.	PART NAME/ DESCRIPTION	PART NUMBER	QTY	UNITS	PRICE	TOTAL
01	Honda (Stock) Replacement Muffler	MOMF/HND-4HP		Each		
02	Exhaust Pipe for 4Hp Muffler	MOEP/4HP-1X12		Each		
03	Shroud & Inlet for Blower Housing	ABIS-12		Each		
04	Housing for Impellor Blower	ABHG-12		Each		
05	Impellor Wheel	ABIM-12MB		Each		
06	Backing Plate for Blower Housing	ABBP-12		Each		
07	Honda 4Hp Gas Engine (Manual Start)	MOHE-120QX6		Each		

IAS Products Ltd. will accept product or parts returned, freight prepaid to manufacturer, at the above address with manufacturer's Returned Materials Authorization number. Upon receipt of the aforesaid, the product or part, if determined defective, will be repaired or replaced at the manufacturer's discretion under terms of warranty. Any product without an RMA number, or arriving freight collect, may be subject to additional administration fees.

PARTS ORDER FORM

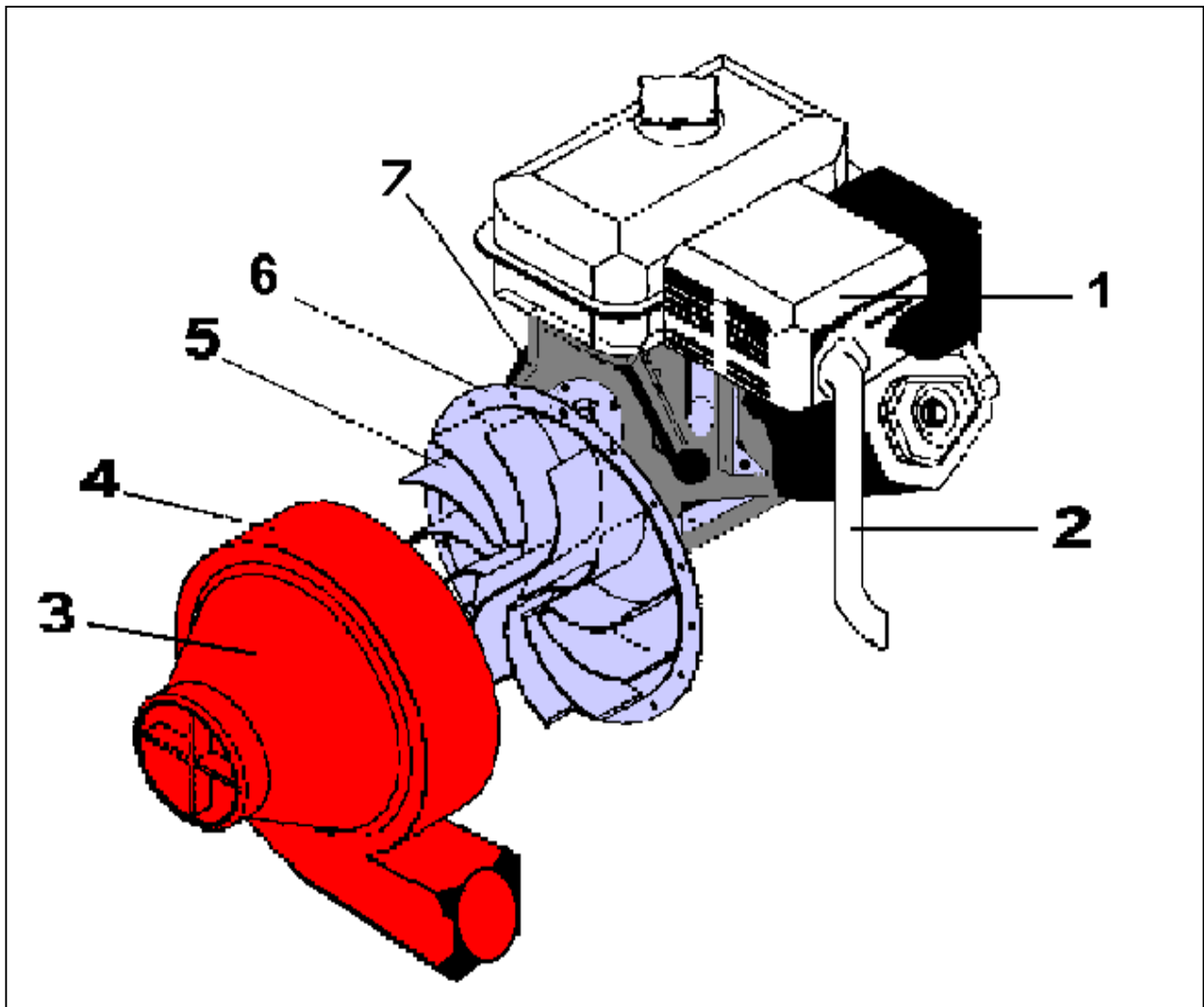
AB-120 AeriteBlower™

Part# AB/GS-12



I.A.S. PRODUCTS LTD.

1415 Dominion Street, North Vancouver, British Columbia, Canada V7J 1B3
Tel: +1(604) 924-1844 Fax: +1(604) 924-1848 Web Site: www.iasproducts.com



IAS Products Ltd. will accept product or parts returned, freight prepaid to manufacturer, at the above address with manufacturer's Returned Materials Authorization number. Upon receipt of the aforesaid, the product or part, if determined defective, will be repaired or replaced at the manufacturer's discretion under terms of warranty. Any product without an RMA number, or arriving freight collect, may be subject to additional administration fees.