



PARTS ORDER FORM

**SeeBrite™ 9000
Fluorescent Underwater Light**

Part# SBFL9000

I.A.S. PRODUCTS LTD.

1415 Dominion Street, North Vancouver, British Columbia, Canada V7J 1B3
Tel: +1(604) 924-1844 Fax: +1(604) 924-1848 Web Site: www.iasproducts.com

Company: _____ **Site:** _____

Name: _____ **Position:** _____

Phone No: _____ **Fax No:** _____

PO Number: _____ **Serial No:** _____ **Date:** _____

ORDERING INSTRUCTIONS:

1. Completely fill out form. Print clearly.
2. Fax, Email, or Phone in your order to IAS Products Ltd. with a valid purchase order number.
3. Review order confirmation, and submit any changes. (Please fax Parts Order page only.)

NO.	PART NAME/ DESCRIPTION	PART NUMBER	QTY	UNITS	PRICE	TOTAL
1	Protective Cage	SBCG/DOME-!2-5		ea		
2	Dome Cap	SBAD/CAP/FL-9		ea		
3	Glass Dome	SBDOME-12.5		ea		
4	Dome O-Ring Seal	GFOR/SB/FL/DM		Ea		
5	Fluorescent Lamp	ECLP/FL-120		Ea		
6	Lamp Base	ECLP/FL85-120/4		Ea		
7	Base Bolts	N/A		Ea		
8	Light Housing (Body)	SBAD/HG/FL9K-L		Ea		
9	Cord/Housing Seal Cap					
9a	Cord/Housing Seal Bung	CFSR/DW5522 (complete)		Ea		
9b	Cord/Housing Seal Washer					
10	Heat Shrink (Glue-lined)	ECHS/WCSM 33		Ea		
11	Fork-Connector (Crimp-on)	N/A		Ea		
12	Deflector	N/A		Ea		
13	Shackle	CFNR/SH/SC-5/8		Ea		
14	Socks Strain Relief	CFOP/CPS1		Ea		
15	Lighthead Cable	CWEC/CA-19G4G		Ea		
16a	Compression Washer	CFSR/CW-1/2		Ea		
16b	Enclosure/Cable Connector-Seal	SFSR/1304-1/2		Ea		
17	Ballast Enclosure	ECJB/HM/PC-963		Ea		
18	Ballast	SBBA/EB-120		Ea		
19	Card Seal Lock-Ring	CFLN-1/2		Ea		
20*	Power Supply Cable*	CWEX*		Ea		
21	Wrench for Dome - CAp	CFWR/FL6K-9K		Ea		

* Part #20 – Please specify your original cable length

IAS Products Ltd. will accept product or parts returned, freight prepaid to manufacturer, at the above address with manufacturer's Returned Materials Authorization number. Upon receipt of the aforesaid, the product or part, if determined defective, will be repaired or replaced at the manufacturer's discretion under terms of warranty. Any product without an RMA number, or arriving freight collect, may be subject to additional administration fees.

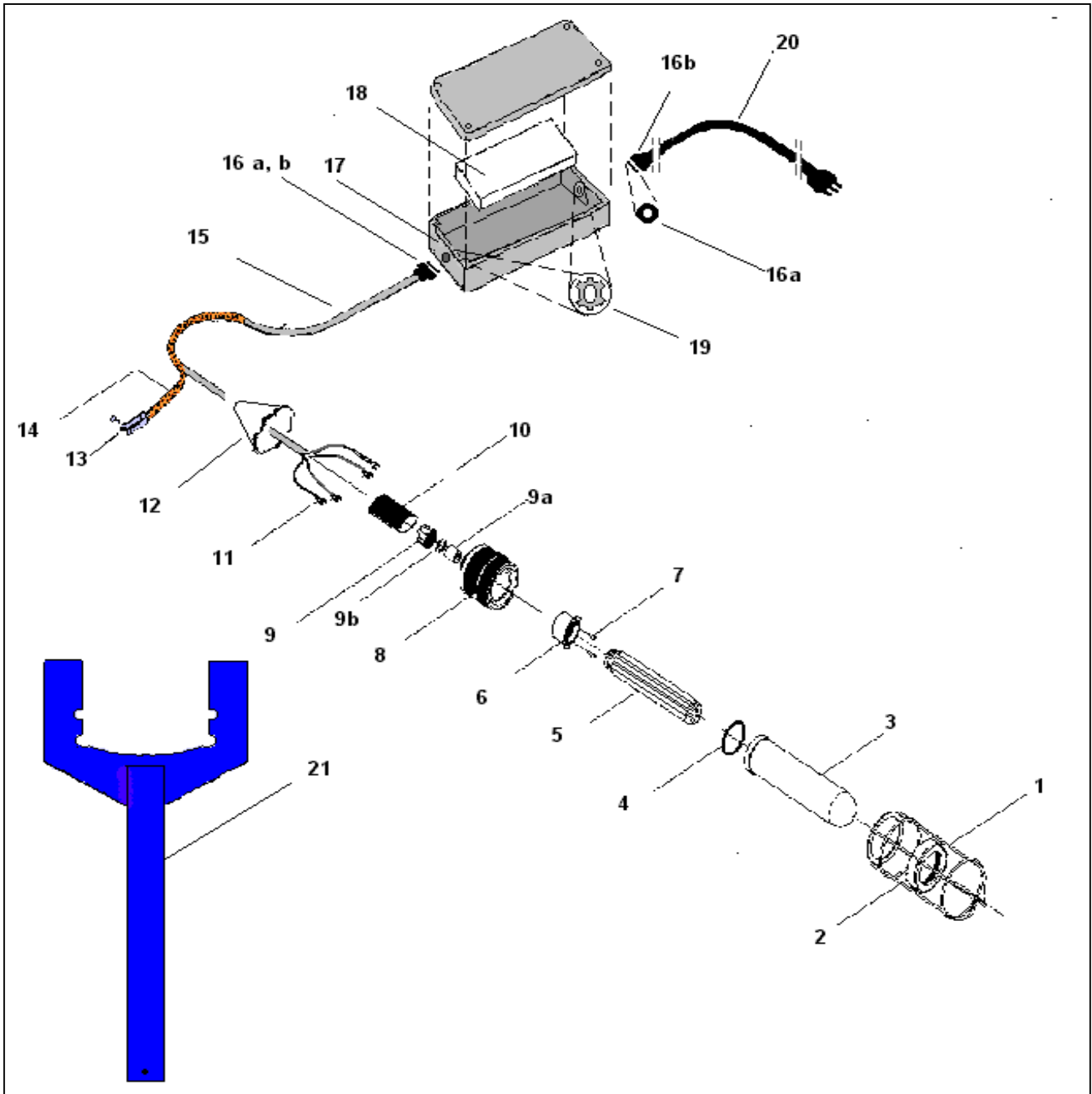
PARTS ORDER FORM

FL9000 SeeBrite™ Lighthouse

Part# SBFL9000

I.A.S. PRODUCTS LTD.

1415 Dominion Street, North Vancouver, British Columbia, Canada V7J 1B3
Tel: +1(604) 924-1844 Fax: +1(604) 924-1848 Web Site: www.iasproducts.com



IAS Products Ltd. will accept product or parts returned, freight prepaid to manufacturer, at the above address with manufacturer's Returned Materials Authorization number. Upon receipt of the aforesaid, the product or part, if determined defective, will be repaired or replaced at the manufacturer's discretion under terms of warranty. Any product without an RMA number, or arriving freight collect, may be subject to additional administration fees.